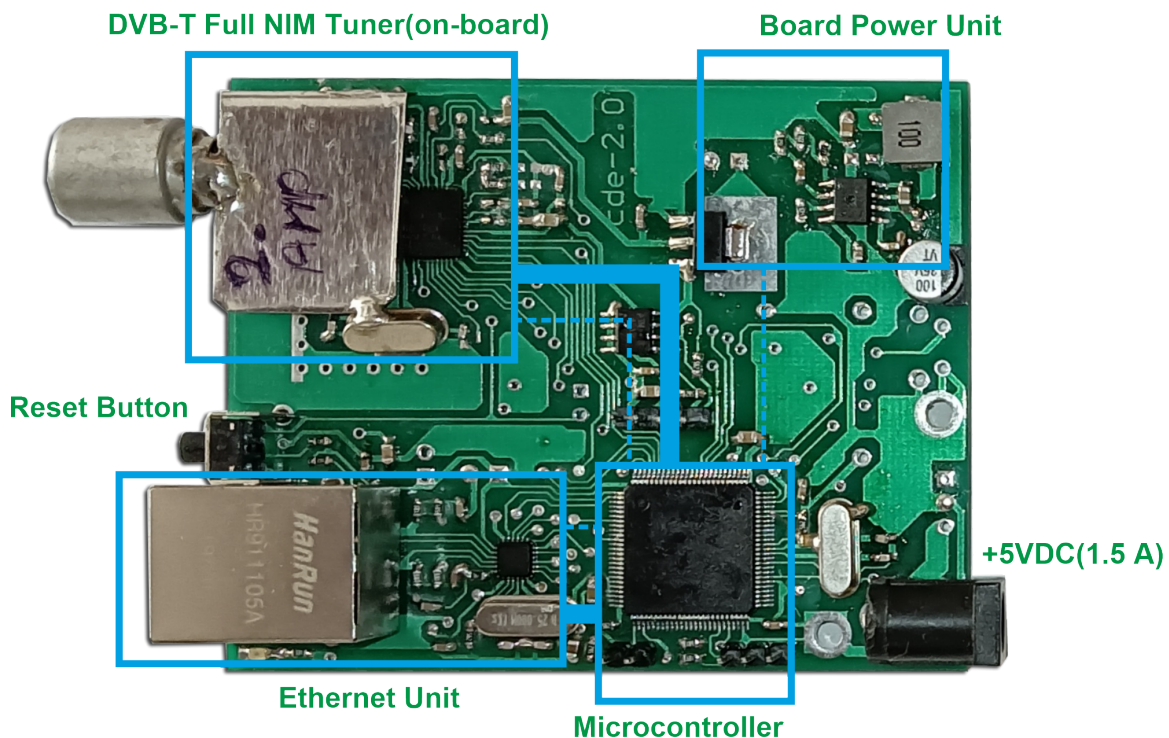




STL2.0: SAT>IP (RTSP) streaming server with 1 tuners for DVB-T

The server is based on Ethernet and is implemented without an operating system. The system is actually a RTSP server based on DVB-T, the way to communicate with it is in accordance with SAT>IP protocols, in the same way that software like VLC, DVBViewer, etc. It is easy to connect with it and use it as a player. The system is designed in an industrial way, based on a micro-controller chip and with an economic approach in such a way that the final board, in addition to providing quality and reliable service, also has the ability to compete in terms of the finished price of the product. Common and widely used parts are used in system design.



- The server is based on Ethernet and is implemented without an operating system.
- Support for popular players such as VLC  and DVBViewer  in Windows, Linux environment.
- Support for VLC and IPTV players in the Android environment.
- Native design and manufacturing and the possibility of making customized changes in software and hardware according to customer needs.